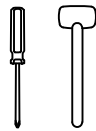
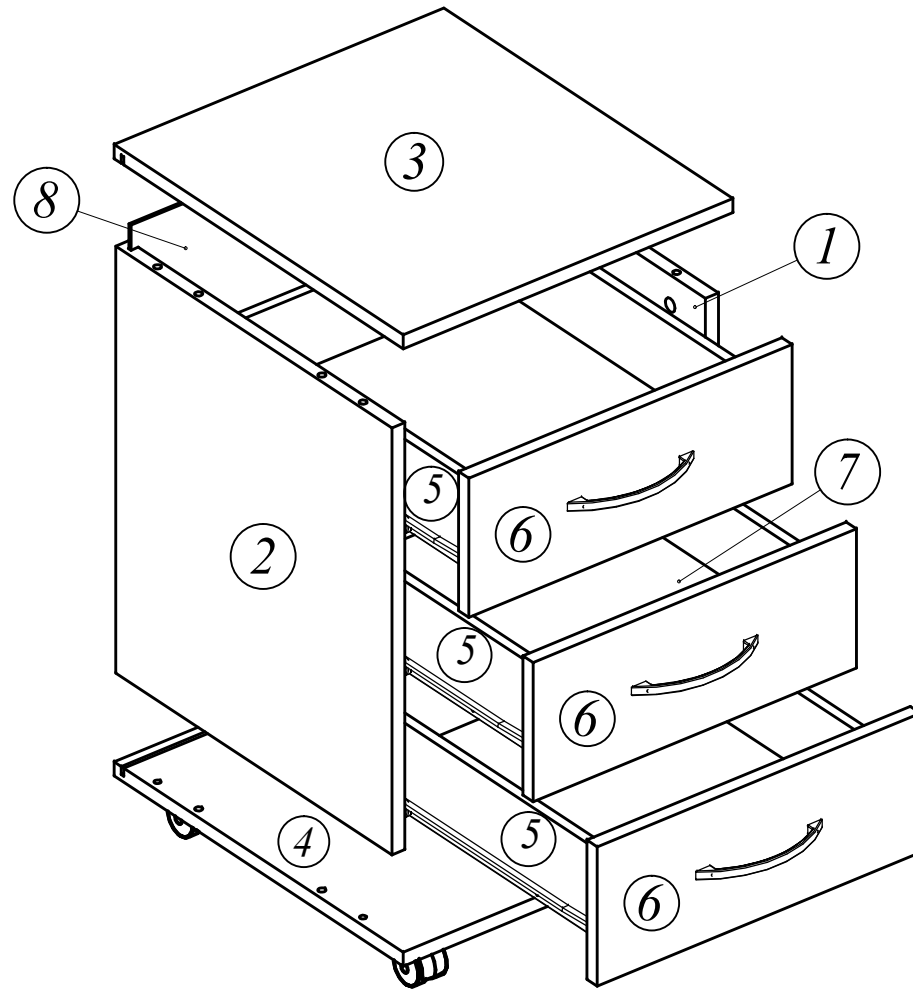
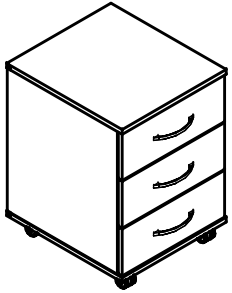

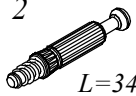

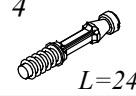



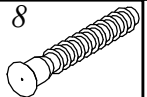




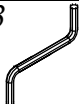

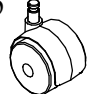



SC-3M



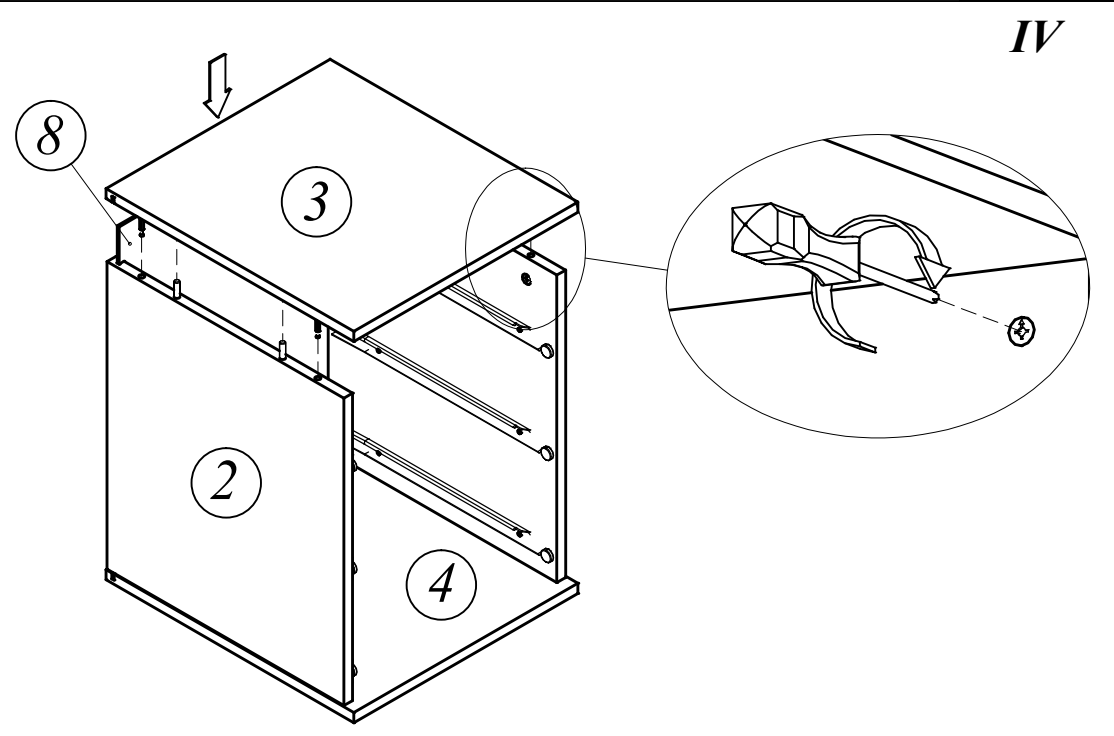
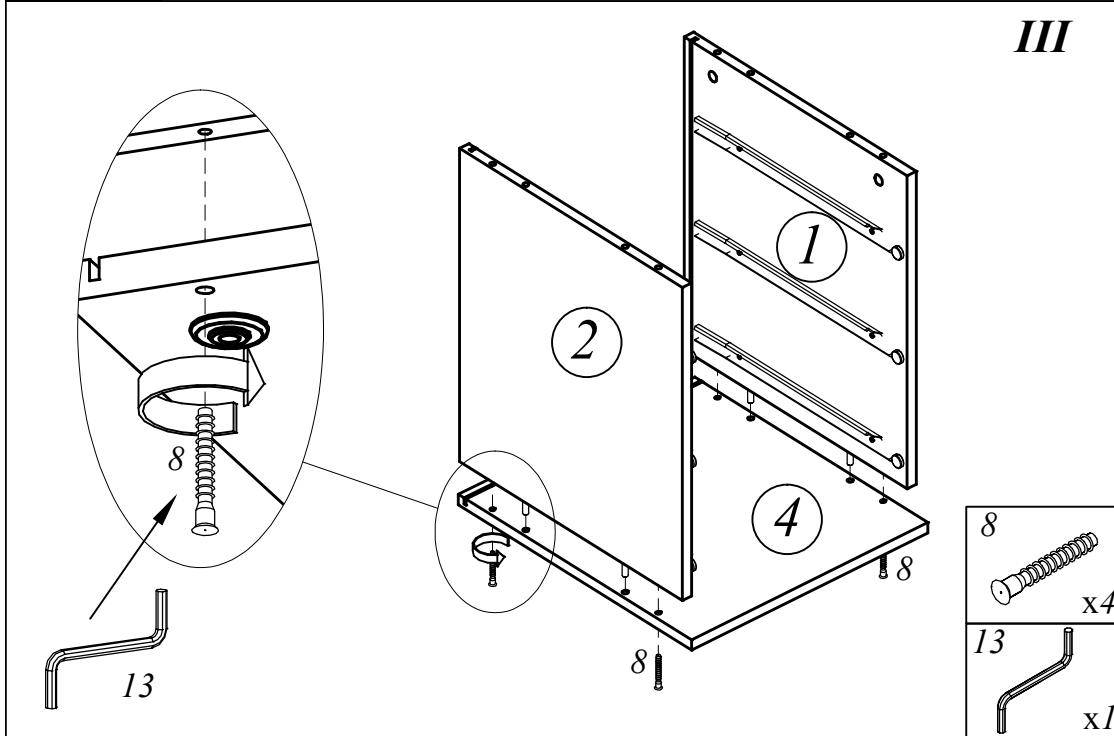
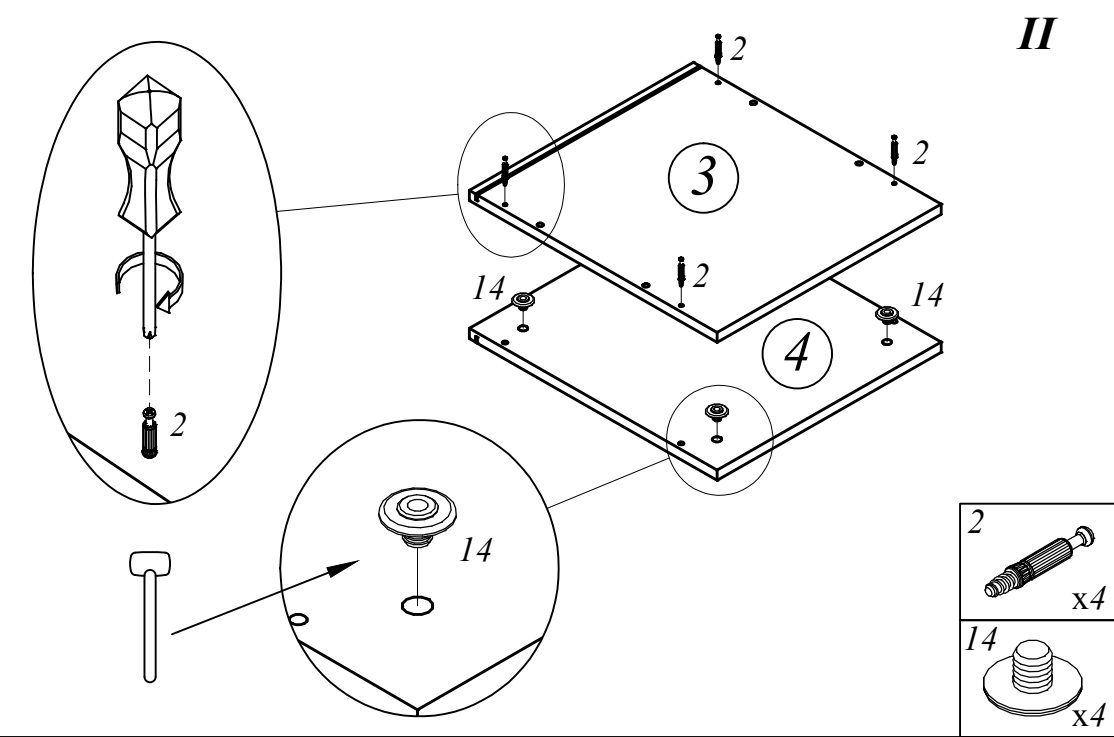
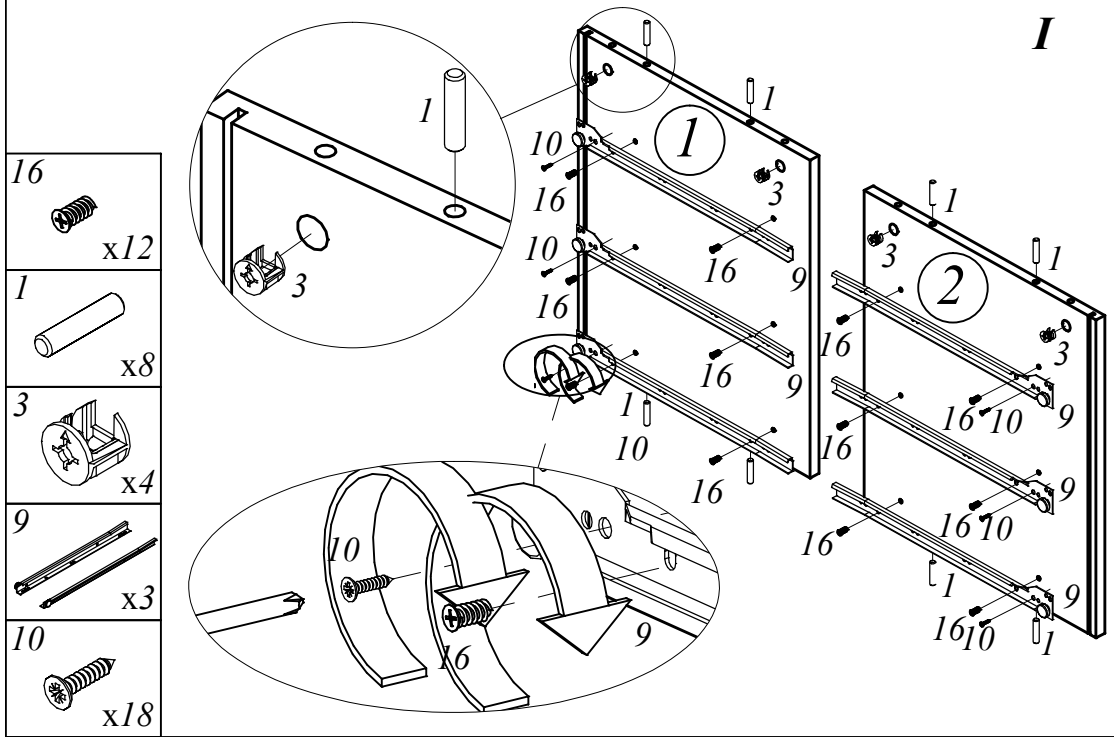
EAC

412x450x566

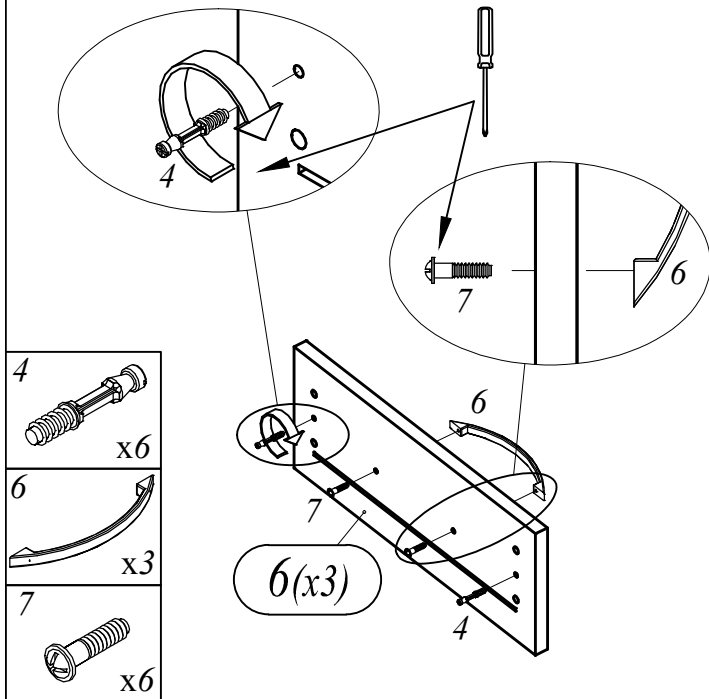
1		x8	2		x4
3		x4	4		x6
5		x6	6		x3
7		x6	8		x4
9		x3	10		x24
11		x6	12		x6
13		x1	14		x4
15		x4	16		x12

SC-3M

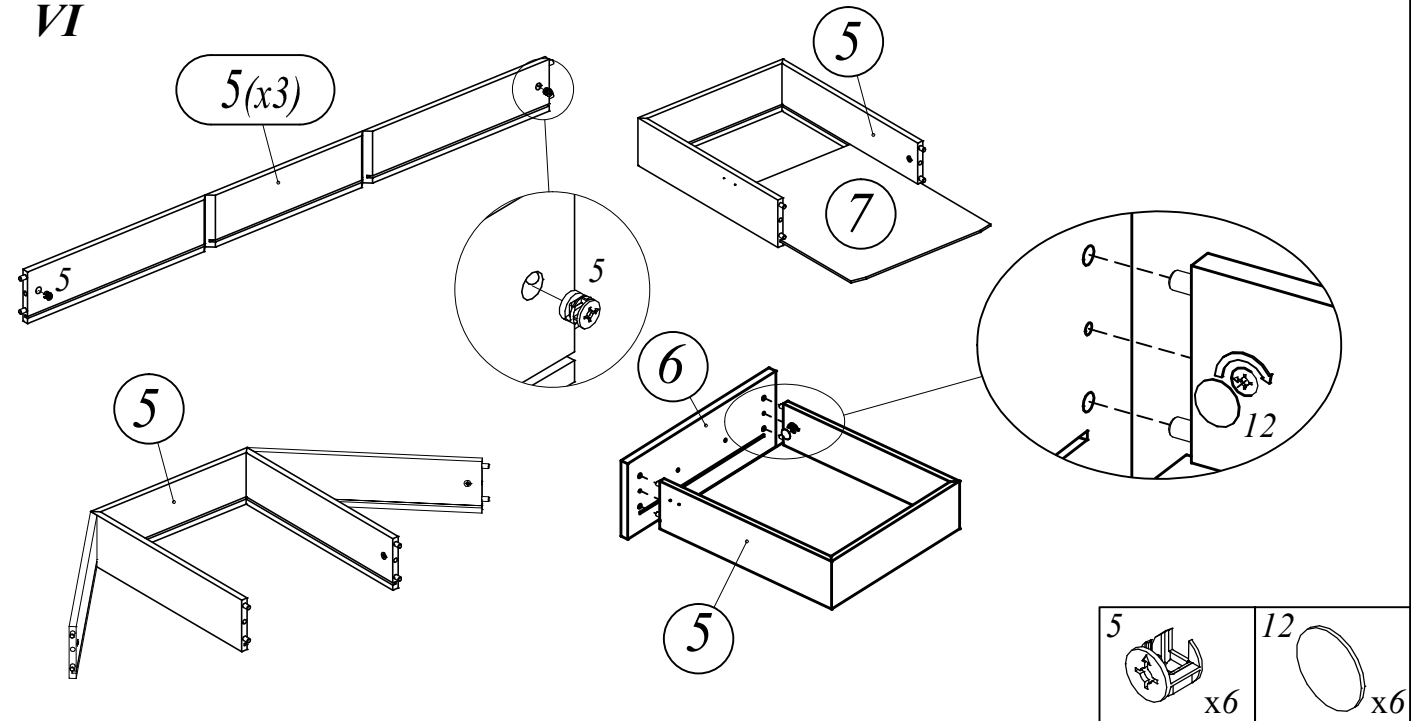
2



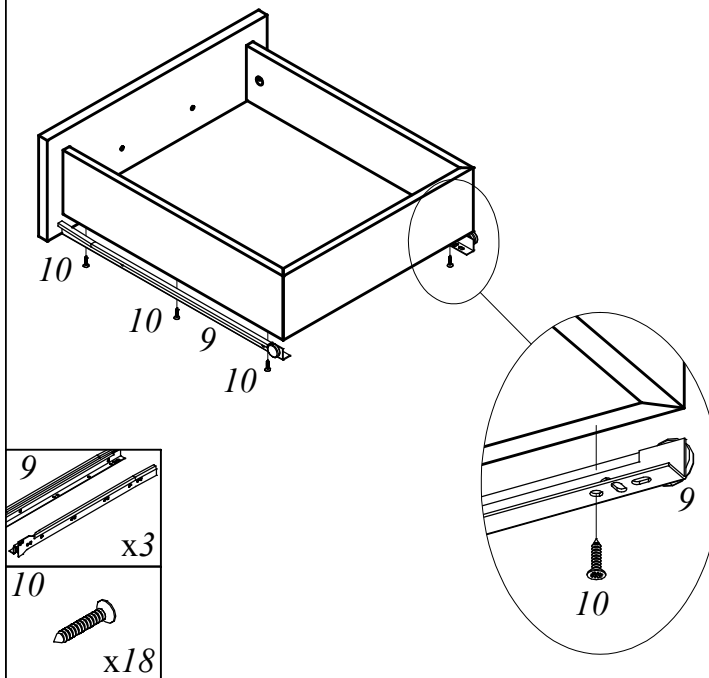
V



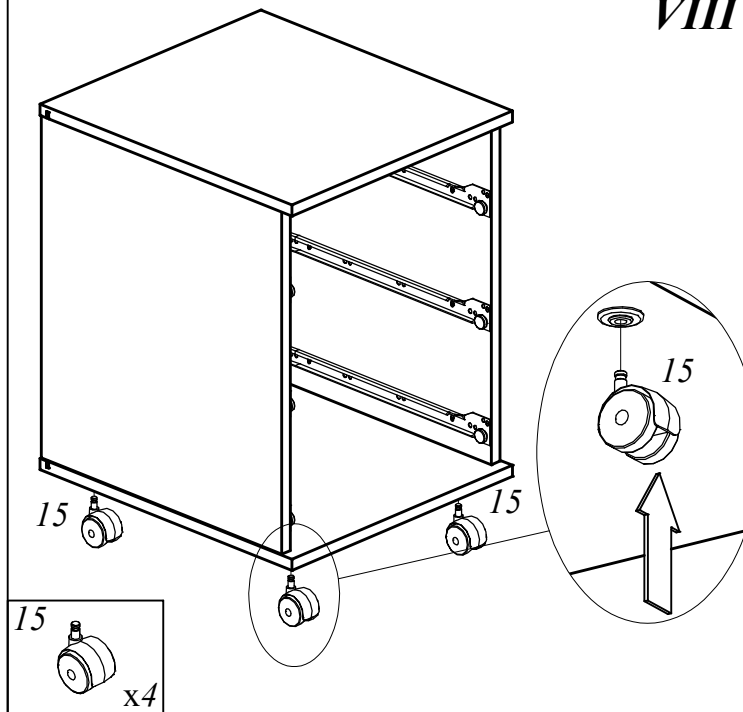
VI



VII



VIII



IX

