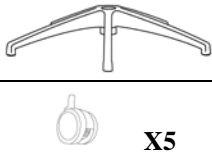

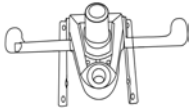
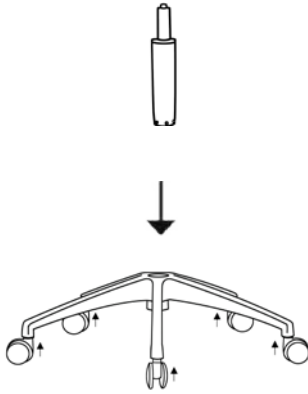
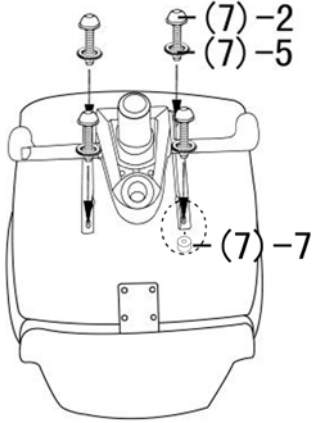
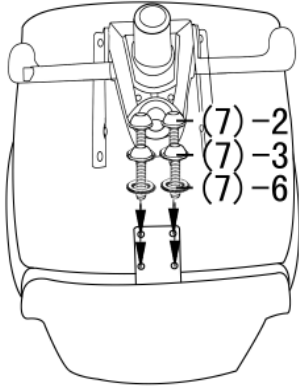



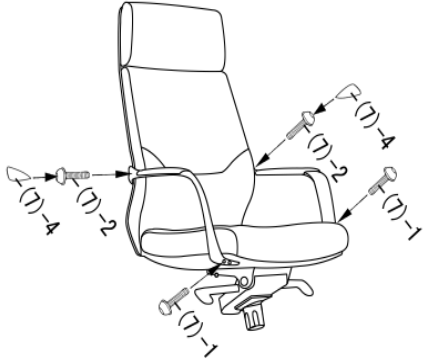
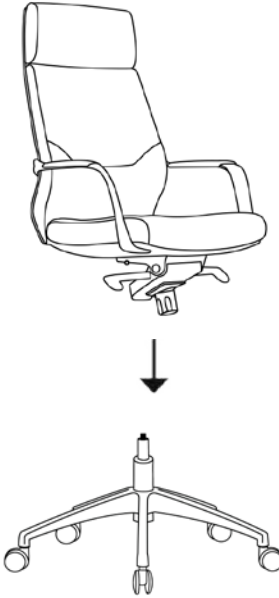







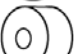
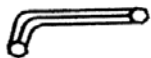






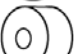
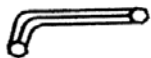






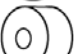
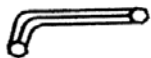


Assembling Instruction

<p>(1)Base</p>  <p>X5</p>	<p>(2) GasColumn</p> 	<p>(3) Mechanism</p> 	<p>A</p> 	<p>B</p> 	<p>C</p> 																																
<p>(4) Armrest</p>  <p>X2</p>	<p>(5)Back</p> 	<p>(6)Seat</p> 	<p>D</p> 	<p>E</p> 	<p>F</p> 																																
<p>(7)Screws</p>																																					
<table border="0"> <tr> <td>1.</td> <td></td> <td>X4</td> <td>6X25MM</td> </tr> <tr> <td>2.</td> <td></td> <td>X8</td> <td>6X30MM</td> </tr> <tr> <td>3.</td> <td></td> <td>X2</td> <td>6X35MM</td> </tr> <tr> <td>4.</td> <td></td> <td>X2</td> <td>Cap of the Arm</td> </tr> <tr> <td>5.</td> <td></td> <td>X4</td> <td>6X16MM</td> </tr> <tr> <td>6.</td> <td></td> <td>X4</td> <td>6X20MM</td> </tr> <tr> <td>7.</td> <td></td> <td>X4</td> <td>5MM</td> </tr> <tr> <td>8.</td> <td></td> <td>X1</td> <td>5MM (Longer)</td> </tr> </table>			1.		X4	6X25MM	2.		X8	6X30MM	3.		X2	6X35MM	4.		X2	Cap of the Arm	5.		X4	6X16MM	6.		X4	6X20MM	7.		X4	5MM	8.		X1	5MM (Longer)			
1.		X4	6X25MM																																		
2.		X8	6X30MM																																		
3.		X2	6X35MM																																		
4.		X2	Cap of the Arm																																		
5.		X4	6X16MM																																		
6.		X4	6X20MM																																		
7.		X4	5MM																																		
8.		X1	5MM (Longer)																																		